

A

2010 - GP

Test Paper Code : GP**Time : 3 Hours****Max. Marks : 300****INSTRUCTIONS**

1. The question-cum-answer booklet has 60 pages and has 66 questions. Please ensure that the copy of the question-cum-answer booklet you have received contains all the questions.
2. Write your **Registration Number, Name and the name of the Test Centre** in the appropriate space provided on the right side.
3. Write the answers to the objective questions against each Question No. in the **Answer Table for Objective Questions**, provided on Page No. 13. Do not write anything else on this page.
4. Each objective question has 4 choices for its answer : (A), (B), (C) and (D). Only **ONE** of them is the correct answer. There will be **negative marking** for wrong answers to objective questions. The following marking scheme for objective questions shall be used :
 - (a) For each correct answer, you will be awarded 3 (Three) marks.
 - (b) For each wrong answer, you will be awarded -1 (Negative one) mark.
 - (c) Multiple answers to a question will be treated as a wrong answer.
 - (d) For each un-attempted question, you will be awarded 0 (Zero) mark.
 - (e) Negative marks for objective part(s) will be carried over to total marks.
5. Answer the subjective question only in the space provided after each question.
6. Do not write more than one answer for the same question. In case you attempt a subjective question more than once, please cancel the answer(s) you consider wrong. Otherwise, the answer appearing last only will be evaluated.
7. All answers must be written in blue/black/blue-black ink only. Sketch pen, pencil or ink of any other colour should not be used.
8. All rough work should be done in the space provided and scored out finally.
9. No supplementary sheets will be provided to the candidates.
10. **Clip board, log tables, slide rule, calculator, cellular phone or electronic gadgets in any form are NOT allowed.**
11. The question-cum-answer booklet must be returned in its entirety to the Invigilator before leaving the examination hall. Do not remove any page from this booklet.

13
 14
 15
 16
 17
 18
 19
 20
 21
 22
 23
 24
 25
 26
 27
 28
 29
 30
 31
 32
 33
 34
 35
 36
 37
 38
 39
 40
 41
 42
 43
 44
 45
 46
 47
 48
 49
 50
 51
 52
 53
 54
 55
 56
 57
 58
 59
 60
 61
 62
 63
 64
 65
 66
 67
 68
 69
 70
 71
 72
 73
 74
 75
 76
 77
 78
 79
 80
 81
 82
 83
 84
 85
 86
 87
 88
 89
 90
 91
 92
 93
 94
 95
 96
 97
 98
 99
 100
 101
 102
 103
 104
 105
 106
 107
 108
 109
 110
 111
 112
 113
 114
 115
 116
 117
 118
 119
 120
 121
 122
 123
 124
 125
 126
 127
 128
 129
 130
 131
 132
 133
 134
 135
 136
 137
 138
 139
 140
 141
 142
 143
 144
 145
 146
 147
 148
 149
 150
 151
 152
 153
 154
 155
 156
 157
 158
 159
 160
 161
 162
 163
 164
 165
 166
 167
 168
 169
 170
 171
 172
 173
 174
 175
 176
 177
 178
 179
 180
 181
 182
 183
 184
 185
 186
 187
 188
 189
 190
 191
 192
 193
 194
 195
 196
 197
 198
 199
 200
 201
 202
 203
 204
 205
 206
 207
 208
 209
 210
 211
 212
 213
 214
 215
 216
 217
 218
 219
 220
 221
 222
 223
 224
 225
 226
 227
 228
 229
 230
 231
 232
 233
 234
 235
 236
 237
 238
 239
 240
 241
 242
 243
 244
 245
 246
 247
 248
 249
 250
 251
 252
 253
 254
 255
 256
 257
 258
 259
 260
 261
 262
 263
 264
 265
 266
 267
 268
 269
 270
 271
 272
 273
 274
 275
 276
 277
 278
 279
 280
 281
 282
 283
 284
 285
 286
 287
 288
 289
 290
 291
 292
 293
 294
 295
 296
 297
 298
 299
 300
 301
 302
 303
 304
 305
 306
 307
 308
 309
 310
 311
 312
 313
 314
 315
 316
 317
 318
 319
 320
 321
 322
 323
 324
 325
 326
 327
 328
 329
 330
 331
 332
 333
 334
 335
 336
 337
 338
 339
 340
 341
 342
 343
 344
 345
 346
 347
 348
 349
 350
 351
 352
 353
 354
 355
 356
 357
 358
 359
 360
 361
 362
 363
 364
 365
 366
 367
 368
 369
 370
 371
 372
 373
 374
 375
 376
 377
 378
 379
 380
 381
 382
 383
 384
 385
 386
 387
 388
 389
 390
 391
 392
 393
 394
 395
 396
 397
 398
 399
 400
 401
 402
 403
 404
 405
 406
 407
 408
 409
 410
 411
 412
 413
 414
 415
 416
 417
 418
 419
 420
 421
 422
 423
 424
 425
 426
 427
 428
 429
 430
 431
 432
 433
 434
 435
 436
 437
 438
 439
 440
 441
 442
 443
 444
 445
 446
 447
 448
 449
 450
 451
 452
 453
 454
 455
 456
 457
 458
 459
 460
 461
 462
 463
 464
 465
 466
 467
 468
 469
 470
 471
 472
 473
 474
 475
 476
 477
 478
 479
 480
 481
 482
 483
 484
 485
 486
 487
 488
 489
 490
 491
 492
 493
 494
 495
 496
 497
 498
 499
 500
 501
 502
 503
 504
 505
 506
 507
 508
 509
 510
 511
 512
 513
 514
 515
 516
 517
 518
 519
 520
 521
 522
 523
 524
 525
 526
 527
 528
 529
 530
 531
 532
 533
 534
 535
 536
 537
 538
 539
 540
 541
 542
 543
 544
 545
 546
 547
 548
 549
 550
 551
 552
 553
 554
 555
 556
 557
 558
 559
 560
 561
 562
 563
 564
 565
 566
 567
 568
 569
 570
 571
 572
 573
 574
 575
 576
 577
 578
 579
 580
 581
 582
 583
 584
 585
 586
 587
 588
 589
 590
 591
 592
 593
 594
 595
 596
 597
 598
 599
 600
 601
 602
 603
 604
 605
 606
 607
 608
 609
 610
 611
 612
 613
 614
 615
 616
 617
 618
 619
 620
 621
 622
 623
 624
 625
 626
 627
 628
 629
 630
 631
 632
 633
 634
 635
 636
 637
 638
 639
 640
 641
 642
 643
 644
 645
 646
 647
 648
 649
 650
 651
 652
 653
 654
 655
 656
 657
 658
 659
 660
 661
 662
 663
 664
 665
 666
 667
 668
 669
 670
 671
 672
 673
 674
 675
 676
 677
 678
 679
 680
 681
 682
 683
 684
 685
 686
 687
 688
 689
 690
 691
 692
 693
 694
 695
 696
 697
 698
 699
 700
 701
 702
 703
 704
 705
 706
 707
 708
 709
 710
 711
 712
 713
 714
 715
 716
 717
 718
 719
 720
 721
 722
 723
 724
 725
 726
 727
 728
 729
 730
 731
 732
 733
 734
 735
 736
 737
 738
 739
 740
 741
 742
 743
 744
 745
 746
 747
 748
 749
 750
 751
 752
 753
 754
 755
 756
 757
 758
 759
 760
 761
 762
 763
 764
 765
 766
 767
 768
 769
 770
 771
 772
 773
 774
 775
 776
 777
 778
 779
 780
 781
 782
 783
 784
 785
 786
 787
 788
 789
 790
 791
 792
 793
 794
 795
 796
 797
 798
 799
 800
 801
 802
 803
 804
 805
 806
 807
 808
 809
 810
 811
 812
 813
 814
 815
 816
 817
 818
 819
 820
 821
 822
 823
 824
 825
 826
 827
 828
 829
 830
 831
 832
 833
 834
 835
 836
 837
 838
 839
 840
 841
 842
 843
 844
 845
 846
 847
 848
 849
 850
 851
 852
 853
 854
 855
 856
 857
 858
 859
 860
 861
 862
 863
 864
 865
 866
 867
 868
 869
 870
 871
 872
 873
 874
 875
 876
 877
 878
 879
 880
 881
 882
 883
 884
 885
 886
 887
 888
 889
 890
 891
 892
 893
 894
 895
 896
 897
 898
 899
 900
 901
 902
 903
 904
 905
 906
 907
 908
 909
 910
 911
 912
 913
 914
 915
 916
 917
 918
 919
 920
 921
 922
 923
 924
 925
 926
 927
 928
 929
 930
 931
 932
 933
 934
 935
 936
 937
 938
 939
 940
 941
 942
 943
 944
 945
 946
 947
 948
 949
 950
 951
 952
 953
 954
 955
 956
 957
 958
 959
 960
 961
 962
 963
 964
 965
 966
 967
 968
 969
 970
 971
 972
 973
 974
 975
 976
 977
 978
 979
 980
 981
 982
 983
 984
 985
 986
 987
 988
 989
 990
 991
 992
 993
 994
 995
 996
 997
 998
 999
 1000
 1001
 1002
 1003
 1004
 1005
 1006
 1007
 1008
 1009
 1010
 1011
 1012
 1013
 1014
 1015
 1016
 1017
 1018
 1019
 1020
 1021
 1022
 1023
 1024
 1025
 1026
 1027
 1028
 1029
 1030
 1031
 1032
 1033
 1034
 1035
 1036
 1037
 1038
 1039
 1040
 1041
 1042
 1043
 1044
 1045
 1046
 1047
 1048
 1049
 1050
 1051
 1052
 1053
 1054
 1055
 1056
 1057
 1058
 1059
 1060
 1061
 1062
 1063
 1064
 1065
 1066
 1067
 1068
 1069
 1070
 1071
 1072
 1073
 1074
 1075
 1076
 1077
 1078
 1079
 1080
 1081
 1082
 1083
 1084
 1085
 1086
 1087
 1088
 1089
 1090
 1091
 1092
 1093
 1094
 1095
 1096
 1097
 1098
 1099
 1100
 1101
 1102
 1103
 1104
 1105
 1106
 1107
 1108
 1109
 1110
 1111
 1112
 1113
 1114
 1115
 1116
 1117
 1118
 1119
 1120
 1121
 1122
 1123
 1124
 1125
 1126
 1127
 1128
 1129
 1130
 1131
 1132
 1133
 1134
 1135
 1136
 1137
 1138
 1139
 1140
 1141
 1142
 1143
 1144
 1145
 1146
 1147
 1148
 1149
 1150
 1151
 1152
 1153
 1154
 1155
 1156
 1157
 1158
 1159
 1160
 1161
 1162
 1163
 1164
 1165
 1166
 1167
 1168
 1169
 1170
 1171
 1172
 1173
 1174
 1175
 1176
 1177
 1178
 1179
 1180
 1181
 1182
 1183
 1184
 1185
 1186
 1187
 1188
 1189
 1190
 1191
 1192
 1193
 1194
 1195
 1196
 1197
 1198
 1199
 1200
 1201
 1202
 1203
 1204
 1205
 1206
 1207
 1208
 1209
 1210
 1211
 1212
 1213
 1214
 1215
 1216
 1217
 1218
 1219
 1220
 1221
 1222
 1223
 1224
 1225
 1226
 1227
 1228
 1229
 1230
 1231
 1232
 1233
 1234
 1235
 1236
 1237
 1238
 1239
 1240
 1241
 1242
 1243
 1244
 1245
 1246
 1247
 1248
 1249
 1250
 1251
 1252
 1253
 1254
 1255
 1256
 1257
 1258
 1259
 1260
 1261
 1262
 1263
 1264
 1265
 1266
 1267
 1268
 1269
 1270
 1271
 1272
 1273
 1274
 1275
 1276
 1277
 1278
 1279
 1280
 1281
 1282
 1283
 1284
 1285
 1286
 1287
 1288
 1289
 1290
 1291
 1292
 1293
 1294
 1295
 1296
 1297
 1298
 1299
 1300
 1301
 1302
 1303
 1304
 1305
 1306
 1307
 1308
 1309
 1310
 1311
 1312
 1313
 1314
 1315
 1316
 1317
 1318
 1319
 1320
 1321
 1322
 1323
 1324
 1325
 1326
 1327
 1328
 1329
 1330
 1331
 1332
 1333
 1334
 1335
 1336
 1337
 1338
 1339
 1340
 1341
 1342
 1343
 1344
 1345
 1346
 1347
 1348
 1349
 1350
 1351
 1352
 1353
 1354
 1355
 1356
 1357
 1358
 1359
 1360
 1361
 1362
 1363
 1364
 1365
 1366
 1367
 1368
 1369
 1370
 1371
 1372
 1373
 1374
 1375
 1376
 1377
 1378
 1379
 1380
 1381
 1382
 1383
 1384
 1385
 1386
 1387
 1388
 1389
 1390
 1391
 1392
 1393
 1394
 1395
 1396
 1397
 1398
 1399
 1400
 1401
 1402
 1403
 1404
 1405
 1406
 1407
 1408
 1409
 14

A

DO NOT WRITE ON THIS PAGE

IMPORTANT NOTE FOR CANDIDATES

- **Geology Section** : Q.Nos. 1-15 (Objective Questions) and Q.Nos. 46-52 (Subjective Questions)
- **Physics Section** : Q.Nos. 16-30 (Objective Questions) and Q.Nos. 53-59 (Subjective Questions)
- **Mathematics Section** : Q.Nos. 31-45 (Objective Questions) and Q.Nos. 60-66 (Subjective Questions)
- Select any ***TWO*** Sections.
- Attempt objective and subjective questions of the selected ***TWO*** Sections.
- Questions 1-45 (objective questions) carry ***three*** marks each and questions 46-66 (subjective questions) carry ***fifteen*** marks each.
- Write the answers to the objective questions in the ***Answer Table for Objective Questions*** provided on page 13 only.

GEOLOGY SECTION

Q.1 A crescent-shaped dune with horns pointing down wind is

- (A) transverse dune (B) parabolic dune
(C) barchan dune (D) star dune

Q.2 Match the stratigraphic Group in **Column-1** with its respective Supergroup in **Column-2**.

Column-1

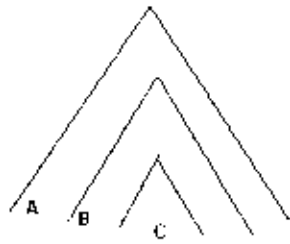
- P. Panchet Group
Q. Champaner Group
R. Hindoli Group
S. Bababudan Group

Column-2

1. Aravalli Supergroup
2. Dharwar Supergroup
3. Gondwana Supergroup
4. Bhilwara Supergroup

- (A) P-3, Q-1, R-4, S-2
(B) P-1, Q-4, R-3, S-2
(C) P-2, Q-4, R-1, S-3
(D) P-2, Q-1, R-4, S-3

Q.3



If bed "C" is the youngest and "A" is the oldest, then the above diagram represents

- (A) anticline (B) antiform
(C) synformal anticline (D) antiformal syncline

Q.4 Lines joining points of equal dip on the outer and inner arc of a fold are called

- (A) isogyres (B) isogons (C) isochrones (D) contours

Q.5 Match the terms in **Group-1** with those in **Group-2**.

Group-1

Group-2

- P. Liquefaction
Q. Cirques
R. Drainage
S. Flood Plain

1. Glacier
2. Terrace
3. Dendritic
4. Earthflow
5. Karst topography

- (A) P-4, Q-1, R-3, S-2 (B) P-1, Q-2, R-5, S-3
(C) P-5, Q-1, R-3, S-4 (D) P-4, Q-5, R-3, S-2

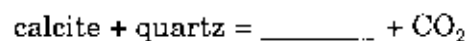
Q.6 If $\lambda_1, \lambda_2, \lambda_3$ (where $\lambda_1 > \lambda_2 > \lambda_3$) are the three principal axes of strain ellipsoid, then plane strain is represented by

- (A) $\lambda_1 > \lambda_2 = 1 > \lambda_3$ (B) $\lambda_1 = 1 > \lambda_2 > \lambda_3$
(C) $\lambda_1 > \lambda_2 = \lambda_3$ (D) $\lambda_1 = \lambda_2 > \lambda_3$

Q.7 Earth's main magnetic field is generated due to

- (A) magnetic materials present in the crust (B) inter planetary interactions
(C) electric current present in the outer core (D) polar wandering

Q.8 Consider the reaction given below related to contact metamorphism of calcareous sediments. Choose the correct mineral to complete the reaction



- (A) anorthite (B) diopside (C) ankerite (D) wollastonite

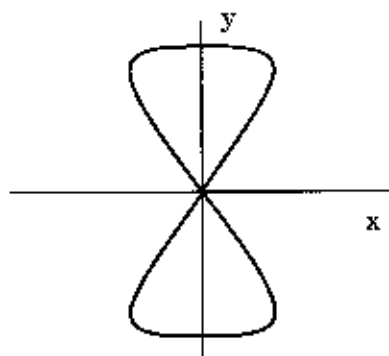
- Q.9 The $(\text{SiO}_4)^{4-}$ tetrahedra in minerals of garnet group are all
 (A) linked unidirectionally defining a chain
 (B) unlinked and isolated with cations between them
 (C) linked to form two-dimensional layers
 (D) polymerized and occur in three dimensions
- Q.10 Match the type of deposits in **Group-1** with their geographical location in **Group-2**.
- | Group-1 | Group-2 |
|----------------|----------------|
| P. Baryte | 1. Tongpal |
| Q. Magnesite | 2. Byrapur |
| R. Chromite | 3. Mangampeta |
| S. Tin | 4. Chalk Hills |
| | 5. Pulivendla |
- (A) P-3, Q-1, R-4, S-2 (B) P-4, Q-3, R-5, S-1
 (C) P-3, Q-4, R-2, S-1 (D) P-2, Q-1, R-5, S-3
- Q.11 Sediments with unstratified clays consisting angular, subangular and rounded blocks of rock, mostly polished and striated are known as
 (A) varve (B) polymictic conglomerate
 (C) claystone (D) till
- Q.12 An ultramafic rock with olivine, orthopyroxene and clinopyroxene as major minerals is classified as
 (A) dunite (B) peridotite (C) kimberlite (D) pyroxenite
- Q.13 Which one of the following ore minerals gives off visible light when it is struck by ultraviolet rays?
 (A) wolframite (B) wurtzite (C) scheelite (D) selenite
- Q.14 The twin plane related to "Manebach law" in orthoclase is
 (A) 001 (B) 110 (C) $0\bar{1}0$ (D) 201
- Q.15 Gravity (g) variation from Equator to Pole on the earth's surface is the combined effect of several factors. Which one of the following statements is **NOT** true?
 (A) Gravity decreases at Equator due to larger centrifugal acceleration at the Equator
 (B) Gravity at Equator increases due to excess mass of Equatorial bulge
 (C) Gravity reduces at Equator due to longer Equatorial radius
 (D) Gravity reduces at Pole due to shorter Polar radius

PHYSICS SECTION

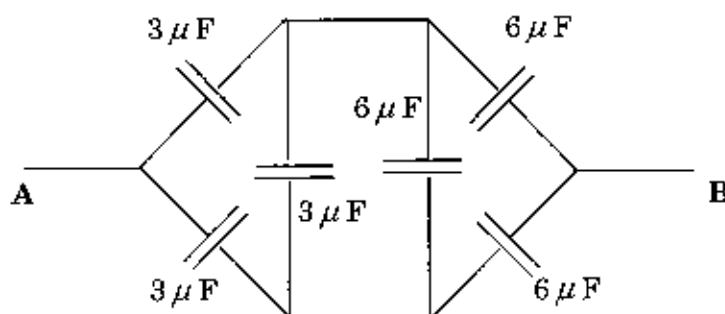
- Q.16 A point charge q is placed at $(0, 0, d)$ from a thin, infinite conducting sheet kept in the xy -plane ($z = 0$). If the sheet is grounded, the electric field at a point $(0, 0, -r)$ is
- (A) dependent on q and d only (B) zero
 (C) dependent on q, d and r (D) dependent on q and r only
- Q.17 An infinitely long straight conductor and a rectangular frame made of a conducting wire are kept in such a way that the two long sides of the frame are parallel to the straight conductor. The distances between the conductor and the two long sides of the frame are l_1 and l_2 ($l_2 > l_1$). If the length of the frame is h , the mutual inductance between the conductor and the frame is
- (A) $\frac{\mu_0 h}{2\pi} \ln\left(\frac{l_2}{l_1}\right)$ (B) $\frac{\mu_0}{2\pi h} \ln\left(\frac{l_2}{l_1}\right)$
 (C) $\frac{\mu_0 h}{2\pi} \left(\frac{l_2}{l_1}\right)$ (D) $\frac{\mu_0}{2\pi h} \left(\frac{l_2}{l_1}\right)$
- Q.18 Continuity equation for an incompressible fluid of density ρ and having a velocity field $\vec{v}(x, y, z, t)$ and pressure $p(x, y, z, t)$ is
- (A) $\vec{\nabla} \cdot \vec{v} = 0$ (B) $\vec{\nabla} \times \vec{v} = 0$
 (C) $\frac{\partial \vec{v}}{\partial t} + (\vec{v} \cdot \vec{\nabla}) \vec{v} = -\frac{1}{\rho} \vec{\nabla} p$ (D) $\frac{1}{2} \rho v^2 + p = \text{constant}$
- Q.19 The X-ray diffraction pattern of a material contains only reflections with all-even or all-odd Miller indices. Then the crystal structure will be
- (A) simple cubic (B) hexagonal
 (C) face centred cubic (D) body centred cubic
- Q.20 An ideal gas is the one for which
- (A) C_V is a function of volume only
 (B) C_V is a function of volume and temperature
 (C) $\left(\frac{C_p}{C_V}\right)$ is not a function of temperature
 (D) C_p and C_V depend on temperature only

- Q.21 One mole of an ideal gas is kept in one half of an adiabatic container and the other half is empty. The two halves of the container are separated by an adiabatic wall. The gas is now allowed to expand freely into the empty half by removing the wall. Then,
- (A) there is an increase in the entropy of the gas
 (B) there is an increase in the temperature of the gas
 (C) there is a decrease in the entropy of the gas
 (D) there is a decrease in the temperature of the gas
- Q.22 Two X-ray tubes operate with the accelerating voltages are V and $2V$. The work function of the material of the cathodes in them are ϕ and 2ϕ , respectively. Then the ratio of the minimum wavelengths of the continuous X-rays produced by them is
- (A) 1 : 4 (B) 1 : 1 (C) 4 : 1 (D) 2 : 1
- Q.23 The ratio of binding energy of an alpha particle to that of a deuteron (${}^2_1\text{H}$) is ($m_p c^2 = 938.3$ MeV, $m_n c^2 = 939.6$ MeV, $m_\alpha c^2 = 3727.2$ MeV, $m_d c^2 = 1875.7$ MeV)
- (A) 11 (B) 12 (C) 13 (D) 14
- Q.24 The de Broglie wavelength of a particle having a mass $900 \text{ MeV}/c^2$ and kinetic energy 2 MeV is (Planck's constant, $h = 4.2 \times 10^{-21} \text{ MeV sec.}$)
- (A) $3.8 \times 10^{-12} \text{ m}$ (B) $6.2 \times 10^{-13} \text{ m}$ (C) $2.1 \times 10^{-14} \text{ m}$ (D) $4.0 \times 10^{-15} \text{ m}$
- Q.25 In a certain medium, the wave number k and the frequency ω are related by the dispersion relation $\omega^2 = c^2 k^2 (1 + \alpha k^2)$, where c and α are constants. If v_g is the group velocity and v_p is the phase velocity, then
- (A) $v_g = v_p$ (B) $\frac{v_g}{v_p} = \frac{(1 + \alpha k^2)}{(1 + 2\alpha k^2)}$
 (C) $v_g \cdot v_p = c^2$ (D) $v_g \cdot v_p = c^2(1 + 2\alpha k^2)$
- Q.26 Consider the following forced oscillator equation:
 $\frac{d^2x}{dt^2} + 2\beta \frac{dx}{dt} + 16x = 9 \cos(5t)$, where the damping coefficient β is a constant. As $\beta \rightarrow 0$, the general solution of $x(t)$ is given by $x(t) = \cos(5t + \phi) + A \cos(4t + \psi)$. The phase, ϕ , tends to
- (A) π (B) $-\pi$ (C) 0 (D) $\pi/2$

- Q.27 Superposition of two sinusoidal waves $x(t) = A \sin(\omega_1 t)$ and $y(t) = B \sin(\omega_2 t)$ produces the following Lissajous figure. The ratio $\frac{\omega_1}{\omega_2}$ is



- (A) 1/2 (B) 1 (C) 2 (D) 4
- Q.28 The equivalent capacitance between the points A and B in the following circuit is



- (A) 3 μF (B) 4 μF (C) 6 μF (D) 9 μF
- Q.29 Which of the following **CANNOT** be a solution of the one dimensional wave equation:

$$\frac{\partial^2 u(x,t)}{\partial x^2} = \frac{1}{c^2} \frac{\partial^2 u(x,t)}{\partial t^2}$$
- (A) $A \cos k(x + ct)$ (B) $A \exp[ik(x - ct)]$
 (C) $A \exp[-\alpha(x - ct)^2]$ (D) $\frac{A}{(x^2 - c^2 t^2)}$
- Q.30 For a completely inelastic collision of two particles in one dimension, which of the following statements is **NOT** correct?
- (A) The kinetic energy is conserved
 (B) The linear momentum is conserved
 (C) The particles move with a common velocity after the collision
 (D) The total energy is conserved

MATHEMATICS SECTION

- Q.31 The critical or stationary points of $f(x, y) = (x^2 + y^2)e^{5x}$ are
- (A) $(0, 0), (2, 0)$ (B) $(1, 1), (-2/5, 0)$
 (C) $(0, 0), (-2/5, 0)$ (D) $(0, 0), (2/5, 0)$
- Q.32 The series $\sum_{n=1}^{\infty} \frac{n}{2n+1}$
- (A) converges to 0 (B) converges to 1/2
 (C) converges to 1 (D) diverges
- Q.33 Let $A_n = \left[\frac{n}{n+1}, \frac{n+1}{n+2} \right]$, $n = 1, 2, 3, \dots$, be closed subsets of the real line \mathbf{R} . Then $\bigcup_{n=1}^{\infty} A_n$ is the set
- (A) $(1/2, 1)$ (B) $[1/2, 1)$ (C) $(1/2, 1]$ (D) $[1/2, 1]$
- Q.34 For random samples of size n drawn from a normal population with unit variance, the variance of $\sum_{i=1}^n (X_i - \bar{X})^2$ is
- (A) $n-1$ (B) n (C) n^2 (D) $2(n-1)$
- Q.35 The value of the integral $\oint_C (x+y)dx + x^2dy$, where C is the triangle with vertices $(0, 0)$, $(2, 0)$ and $(2, 4)$ in the anticlockwise direction is
- (A) $5/3$ (B) $10/3$ (C) $20/3$ (D) $40/3$
- Q.36 Which one of the following functions **CANNOT** be characteristic function of a random variable?
- (A) $\sin t$ (B) $\cos t$ (C) e^{it} (D) e^{-it}

Q.37 For a constant vector \vec{a} and $\vec{r} = x\hat{i} + y\hat{j} + z\hat{k}$, consider the following statements:

I. $\text{curl}(\vec{a} \times \vec{r}) = 2 \text{grad}(\vec{a} \cdot \vec{r})$

II. $\text{div}[(\vec{a} \cdot \vec{r})\vec{r}] = 2(\vec{a} \cdot \vec{r})$

then,

(A) both statements are true

(B) only statement I is true

(C) only statement II is true

(D) both statements are false

Q.38 An iterative sequence of Newton-Raphson method to find the value of the reciprocal of a positive integer N is given by

(A) $x_{n+1} = x_n - Nx_n^2$

(B) $2x_{n+1} = x_n - Nx_n^2$

(C) $x_{n+1} = 2x_n - Nx_n^2$

(D) $x_{n+1} = -x_n + 2Nx_n^2$

Q.39 For the backward difference operator ∇ , the operator $\nabla(1 - \nabla)^{-1/2}$ equals

(A) δ

(B) ∇

(C) E

(D) Δ

Q.40 Let X be a binomial variable such that $3P(X = 3) = 2P(X = 2)$. Then the mean of X is

(A) $1/3$

(B) $1/2$

(C) 1

(D) 2

Q.41 The set of all limit points of the set $\{x : x \in \mathbf{R} \text{ and } x < 1 \text{ or } x > 2\}$ is

(A) $\{1, 2\}$

(B) $(-\infty, 1) \cup (2, \infty)$

(C) $(-\infty, 1] \cup [2, \infty)$

(D) $[1, 2]$

Q.42 The solution of the initial value problem $\frac{dy}{dx} = \frac{\sin x}{y+2}$, $y(0) = 0$, is

(A) $y(y+2) = 4(1 - \cos x)$

(B) $y^2 = 2(1 - \cos x)$

(C) $y(y+4) + \cos x = 0$

(D) $y(y+4) = 2(1 - \cos x)$

Q.43 If e^{2x} and xe^{2x} are particular solutions of a second order homogeneous differential equation with constant coefficients, then the equation is

(A) $\frac{d^2y}{dx^2} - 4\frac{dy}{dx} + 4y = 0$

(B) $\frac{d^2y}{dx^2} - 5\frac{dy}{dx} + 6y = 0$

(C) $\frac{d^2y}{dx^2} - 4y = 0$

(D) $\frac{d^2y}{dx^2} - 3\frac{dy}{dx} + 2y = 0$

Q.44 The rank of the matrix $\begin{bmatrix} 1 & 2 & 4 & 2 \\ 1 & 1 & 3 & 2 \\ 2 & 4 & 8 & 4 \end{bmatrix}$ is

(A) 1

(B) 2

(C) 3

(D) 4

Q.45 The value of $\int_0^{2+i} \bar{z} dz$ along the straight line $x = 2y$ is

(A) $\frac{5}{2}$

(B) $\frac{3+4i}{2}$

(C) $1 - \frac{i}{2}$

(D) 5

A

Space for rough work

GP-10/60

A

Space for rough work

GP-11/60



Space for rough work

Answer Table for Objective Questions

Write the Code of your chosen answer only in the 'Answer' Column against each Question No. Do not write anything else on this page.

Question No.	Answer	Do not write in this column	Question No.	Answer	Do not write in this column
01			31		
02			32		
03			33		
04			34		
05			35		
06			36		
07			37		
08			38		
09			39		
10			40		
11			41		
12			42		
13			43		
14			44		
15			45		
16			FOR EVALUATION ONLY		
17			Correct		Marks (+)
18			Incorrect		Marks (-)
19			Total Marks in Q. Nos. 1-15		()
20					
21					
22			Correct		Marks (+)
23			Incorrect		Marks (-)
24			Total Marks in Q. Nos. 16-30		()
25					
26					
27			Correct		Marks (+)
28			Incorrect		Marks (-)
29			Total Marks in Q. Nos. 31-45		()
30					

GEOLOGY SECTION

Q.46 Draw and explain

- (a) how the increase in temperature, confining pressure and pore fluid pressure would influence the ductility and strength of materials? (9)
- (b) the difference between (i) Hinge line and Fold axis (ii) Plane cylindrical fold and non-plane non-cylindrical fold. (6)

A

GP-15/60

A

- Q.47 (a) Draw and describe different types of Plate margins. (9)
- (b) Explain the Wilson Cycle. (6)

A

GP-17/60

- Q.48 (a) Arrange the following in chronological order (Oldest to Youngest) :
- (i) Chotanagpur Gneiss, Ladakh Granitoid, Peninsular Gneiss
 - (ii) Rajmahal volcanics, Dalma volcanics, Panjal volcanics
 - (iii) Dhok Pathan Formation, Jhamarkotra Formation, Nagthat Formation (9)
- (b) Give the chronostratigraphic divisions of "Siwalik Group". (6)

A

GP-19/60

- Q.49** (a) (i) What is the mathematical relationship among retardation, birefringence and thickness of an anisotropic mineral in thin section?
- (ii) Draw a cross-section (parallel to optic axis) of ray velocity surface for uniaxial negative minerals. (6)
- (b) Why anisotropic minerals exhibit interference colours under Crossed Polars? (9)

A

GP-21/60

- Q.50 (a) Explain the formation of laterite-bauxite from basaltic rocks. (6)
- (b) (i) What is the main host rock associated with Pb-Zn mineralization in Zawar?
(ii) Give names of two Pb-Zn mines in Zawar belt.
(iii) What is the mode of occurrence of the ore body in Zawar? (9)

A

GP-23/60

- Q.51 (a) Consider a binary system involving forsterite-silica as end members related to magmatic crystallization.
- (i) What is peritectic point?
 - (ii) Indicate the formation of a binary compound at peritectic point with the chemical reaction. (6)
- (b)
- (i) Explain the formation of "graphic texture".
 - (ii) Give the characteristic mineral assemblage for basic igneous rocks metamorphosed to amphibolite and eclogite facies.
 - (iii) Give an example each of silica, phosphate and sulfate minerals commonly found in chemical sediments. (9)

A

GP-25/60



- Q.52 (a) Explain the demerits of Kant and Laplace Nebular hypothesis in explaining the origin of the solar system. (9)
- (b) Describe Airy and Pratt hypothesis of isostasy with suitable diagrams. (6)

A

GP-27/60

PHYSICS SECTION

- Q.53 A conducting sphere of radius R_1 is coated over the entire surface with a linear dielectric material of dielectric constant (relative permittivity) κ up to a radius of R_2 ($R_2 > R_1$). A positive charge Q is given to the conductor.
- (a) Find the bound (polarization) charges on the dielectric layer at $r = R_1$ and $r = R_2$. (9)
- (b) The electric fields in the region $r < R_1$ and $r > R_2$. (6)

A

GP-29/60

Q.54 The longest wavelength in the Balmer series of hydrogen atom is given as 656 nm.

- (a) What is the longest wavelength of the Lyman series in this case? (9)
- (b) Positronium can be considered as a system of an electron and a positron in which both these particles orbit each other. What will be the longest wavelength in the Lyman series for positronium? (6)

A

GP-31/60

A

Q.55 A Carnot engine working between hot and cold reservoirs of absolute temperatures T_1 and T_2 respectively, has an efficiency of 50%.

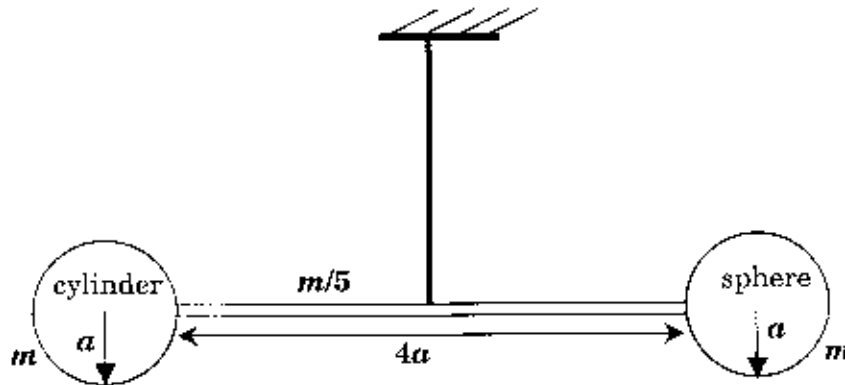
- (a) Find out the ratio of the heat that is absorbed from the hot reservoir to that released to the cold reservoir. (9)
- (b) If the absolute temperature of the hot reservoir is made $2T_1$ while keeping the temperature of the cold reservoir unchanged, what will be the new efficiency? (6)

A

GP-33/60

A

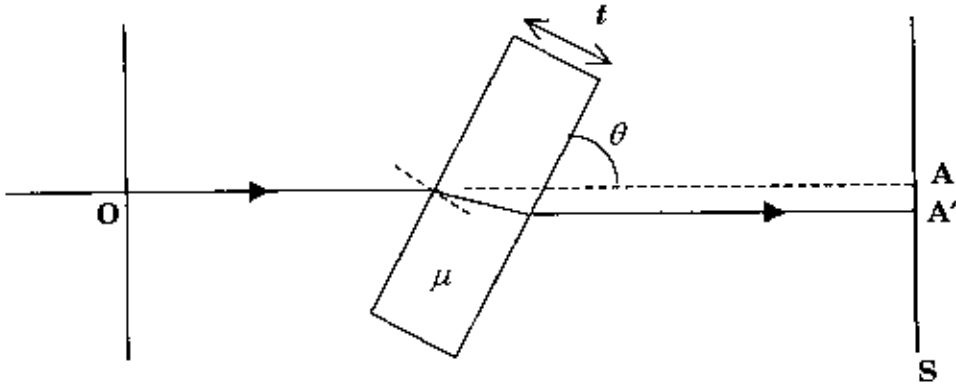
- Q.56 A solid cylinder of mass m , radius a and height also a and a solid sphere of the same mass and the same radius are connected to the two ends of a thin rod of mass $m/5$ and length $4a$. The line joining the centres of mass of the cylinder and the sphere coincides with the axis of the rod. The vertical cross section of the assembly is shown in the figure below. The whole assembly is suspended vertically by a massless wire passing through its centre of mass. The torsional constant of the wire is $76 ma^2/\text{sec}^2$. Calculate the frequency of the torsional oscillation about the suspension in the horizontal plane. (15)



A

GP-35/60

- Q.57 A ray of light passing through the origin **O** along the x -axis reaches the point **A** on the screen **S**, placed perpendicular to the x -axis. A glass plate of thickness t and refractive index μ is introduced in the path, making an angle θ with the x -axis, as shown in the figure. Calculate the extra optical path that the ray has to travel to reach the point **A'** on the screen. (15)



A

GP-37/60

- Q.58 A constant magnetic field $\vec{B} = B_0 \hat{j}$ and a constant electric field $\vec{E} = E_0 \hat{j}$ exist in a region. A sinusoidally varying electric field $\vec{E}' = E_1 \sin(\omega t) \hat{k}$ is also applied in the same region. A particle with positive charge q and mass m is ejected from the origin with the velocity $v_0 \hat{i}$ at time $t = 0$.
- (a) Find the equations of motion for the three velocity components of the particle. (9)
- (b) What is the y coordinate of the particle at time t ? (6)

A

GP-39/60

A

- Q.59 Suppose a comet of mass $\sqrt{20} \times 10^{13}$ kg is moving in a parabolic orbit around the Sun and has a possibility of colliding at its perihelion with Venus. Assume that Venus is moving in a circular orbit around the Sun and takes 225 days to complete a revolution around the Sun. Calculate the angular momentum of the comet about the Sun. Neglect the interaction between the comet and Venus.

(Mass of the Sun = 2×10^{30} kg. Assume gravitational constant $G = \left(\frac{20}{3}\right) \times 10^{-11}$ in SI units and $\pi^2 = 10$.)

(15)

A

GP-41/60

MATHEMATICS SECTION

- Q.60 (a) For the sequence $\{x_n\}$, where x_1 is a positive real number strictly less than 3 and $x_{n+1} = \frac{12(1+x_n)}{13+x_n}$, $n = 1, 2, 3 \dots$,
- (i) prove that $x_n < 3$, for all $n = 1, 2, 3 \dots$
 - (ii) show that $\{x_n\}$ is strictly monotone increasing and
 - (iii) check whether $\{x_n\}$ is convergent. (9)
- (b) For the function $f(x,y) = \begin{cases} \frac{3x^3 - 5y^3}{x^2 + y^2} & , \text{ if } x^2 + y^2 \neq 0 \\ 0 & , \text{ if } x^2 + y^2 = 0 \end{cases}$, find $\frac{\partial f}{\partial x}$ and $\frac{\partial f}{\partial y}$ at $(0, 0)$. (6)

A

GP-43/60

- Q.61 (a) Find the radius of convergence and the exact interval of convergence of the power series $\sum_{n=0}^{\infty} \frac{x^n}{\sqrt{n+1}}$. (9)
- (b) For the function $f(z) = |z|^2$ of complex variable z ,
- find the derivative of $f(z)$ at $z = 0$ and
 - check the analyticity of $f(z)$ at $z = 0$. (6)



GP-45/60

Q.62 (a) Show that the following equation is exact and then solve it:

$$\{(x+1)e^x - e^y\}dx = xe^y dy. \quad (6)$$

(b) Find the general solution of $\frac{d^2y}{dx^2} + 2\frac{dy}{dx} + 10y = 25x^2 + 3$. (9)

A

GP-47/60

- Q.63 (a) Suppose that the probability of a successful strike when drilling for oil is 0.05. The conditional probability of rock condition R when there is oil below the rock is 0.8 and it is 0.5 in the absence of oil. If the condition of the rock at a site is observed to be R, what is the chance of striking oil at this site? (6)
- (b) If X and Y have the joint probability density function,
$$f(x, y) = 2(x + y - 2xy), \quad 0 \leq x \leq 1, \quad 0 \leq y \leq 1,$$
then find the correlation coefficient between X and Y . (9)

A

GP-49/60

- Q.64 (a) Evaluate the integral $\int_0^{1/2} \frac{dx}{1+2x}$ up to four decimal places using Simpson's one-third rule with four equal subintervals. (6)
- (b) Five measurements of the heat producing capacity (in millions of calories per ton) of coal from a mine are, 11, 9, 12, 10 and 8. Assuming that the population follows a normal distribution, find 99% confidence interval for the mean of the population. ($t_{0.005,4} = 4.6041$, $t_{0.005,5} = 4.0322$) (9)

A

GP-51/60

Q.65 (a) If $\vec{v} = x^2z\hat{i} + y\hat{j} - xz^2\hat{k}$ and S is the surface of the closed cylinder $x^2 + y^2 = 16$, $z = 0$ and $z = 4$, evaluate the integral $\iint_S \vec{v} \cdot \hat{n} \, dA$. (6)

(b) Find a function $\phi(x, y, z)$ such that
 $d\phi(x, y, z) = yz \, dx + (z + xz + z^2) \, dy + (y + xy + 2yz) \, dz$
and $\phi(0, 1, -1) = 0$. (9)

A

GP-53/60

Q.66 For the matrix $A = \begin{bmatrix} -1 & 0 & 2 \\ 0 & 2 & 3 \\ 0 & 1 & 0 \end{bmatrix}$, find

- (i) **all eigenvalues** of A ,
- (ii) **all possible eigenvectors** corresponding to every eigenvalue of A and
- (iii) **the dimension of the eigenspace** corresponding to each eigenvalue of A .

(15)

A

GP-55/60

Space for rough work



Space for rough work



Space for rough work

A

Space for rough work

GP-59/60

A

Space for rough work

GP-60/60
